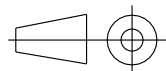
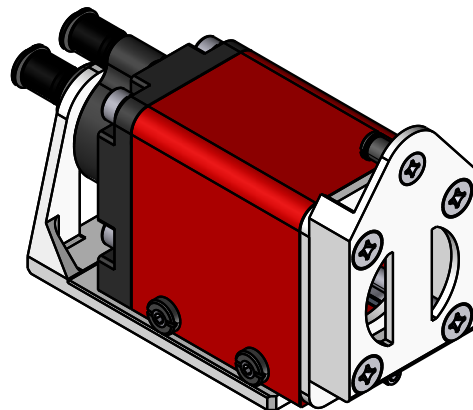
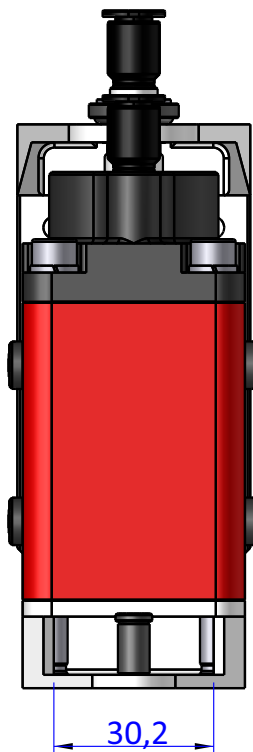
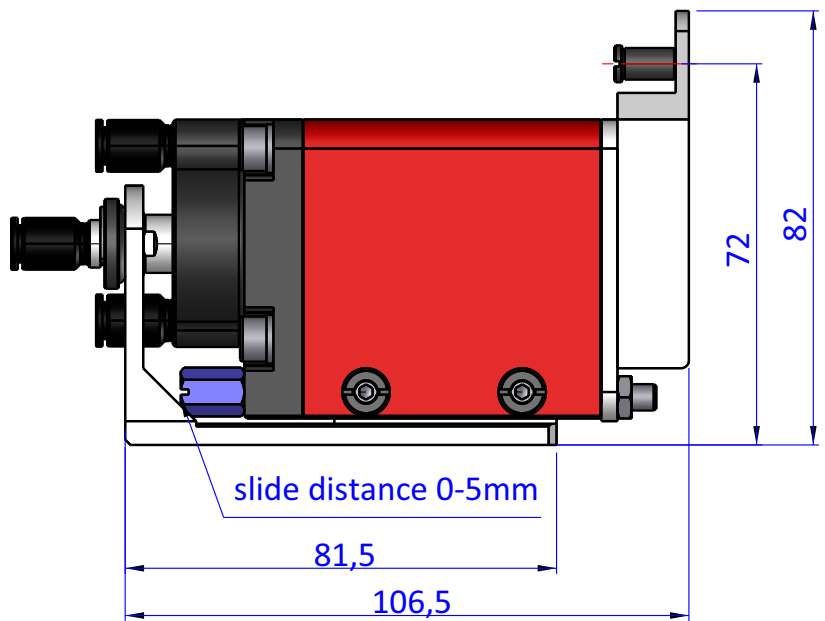
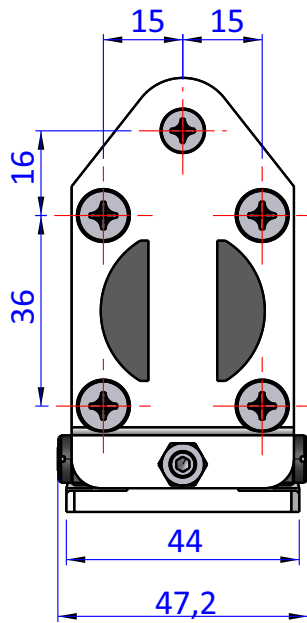


THE PROPERTY OF THE DRAWING IS ESTABLISHED BY LAW. IT IS FORBIDDEN TO PRODUCE OR SHOW IT TO THIRD PART. WITHOUT A WRITTEN AGREEMENT.



DESIGNED FROM	FPS Automation	REVIEW	A
---------------	----------------	--------	---

DATE	02/11/2020	WEIGHT	0,695kg
------	------------	--------	---------

CODE	VES.GTNY25S
------	-------------

Format A4

UNI 936-76

GENERAL TOLERANCE

UNI - ISO 2768

CLASSE f

DESCRIPTION

VES.GTNY25S